

MAXDOOR Model TD

Telescoping Steel Panel Door System



The Ultimate Solution to Security and Space Allocation



Telescoping Steel Panel Door System

- ◆ Security Door
- ◆ High Cycle
- ◆ 6 Color Choices
- ◆ Minimal Side Clearance
- High Wind Load
- STC—29 Rated Sound Door
- Low Head Room
- Easy to Repair
- Fire Door
- Powered or Manual Operation
- Latches Down when closed
- Minimal Maintenance

MAXDOOR Model TD

Telescoping Steel Panel Door System

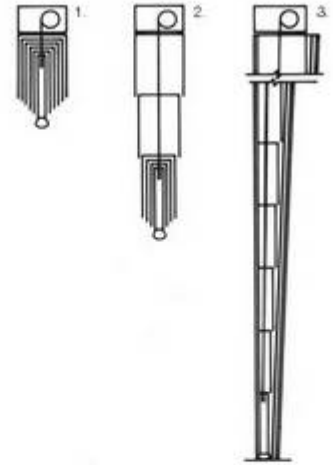
Steel cables attached to the bottom section operate the door curtain. As the door closes, the nested sections descend as a unit, with individual sections peeling off one at a time as hooks in their top edges are engaged by the continuous bottom flanges of the sections above. When closed, the door puts no strain on the cables because the bottom section rests on the floor, and each individual section is supported by the one immediately above it.

No counterbalancing torsion springs or weights are required to open the door, because the full weight of the curtain is not moved at start-up. The initial load is merely the weight of the bottom panel, and weight builds up gradually, one section at a time, as the door rises to the open position.

Operating and safety control devices. The bottom door section contains various operating devices, including a pressure-sensitive bottom edge which automatically reverses the door motion when an obstacle is met, plus a special centering device which holds all sections in proper lateral alignment and prevents side binding. A positive locking mechanism

engages automatically in both side guides when the door stops in the closed position and disengages automatically when the opening action is initiated. Rollers in the ends of the bottom section cushion its travel along the door guides, and a heavy, flexible weather strip along its bottom edge seals out drafts. Because it floats within the section above, it will compensate automatically for a minor slant in the floor, or it can be adapted easily to meet more severe conditions.

Adjustable limit controls automatically stop the motor when the door reaches the fully open or closed position. A second limit switch control is provided in the header box as protection against over-travel damage, should the initial limit control malfunction. Other limit switches disconnect operating power upon sensing a break in the steel cable. All internal electrical components are wired at the factory to minimize on-site electrical work. All wiring and cables are carried within the door - protected from damage and snagging.



1. When the door is fully open, the hollow sections nest compactly overhead, supported by steel cables.
2. As the cables feed, the nest descends, with outer sections peeling off one at a time.
3. When the door reaches the floor, the motor stops automatically. With the bottom section resting on the floor and all others hanging above, no strain is put on the cables.

Teledoor Operations

Door Operator
(In-Header Direct-Drive shown,
Other Options Offered)

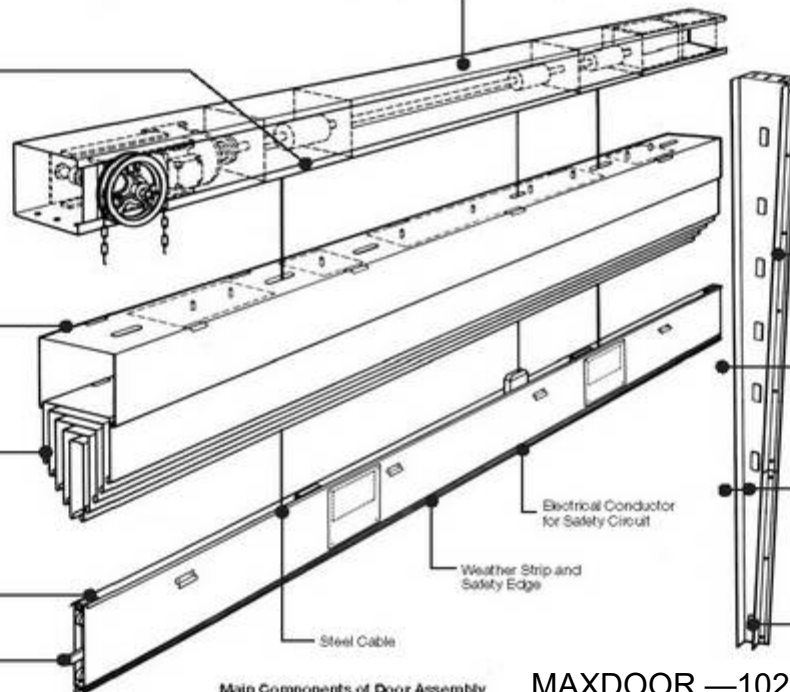
Top Panel
(Attaches to Header Box,
Shown Raised)

Intermediate Panels
(Number Varies with
Door Height)

Bottom Section
(Shown Lowered, Out
of Panel Nest)

Lock Bolt

Header Box
(Includes Factory-Installed Drive Shaft,
Brake Gear Motor, Winding Drums,
Rotary Limits and Starter Panel)



Main Components of Door Assembly

Detachable Inner Guide
(Shown Mounted)

Fixed Outer Guide

Plastic Wear Strips

Lock Hole

MAXDOOR — 1020 W. 14 Mile Road

Clawson, Michigan 48017

Ph. 248 915 5838

Www.maxdoor-usa.com